

TRAILSTAR
1st
in Service
Commerce, Texas



2015/2016

Catalog

TRAILFINDER ST Radial Tires • **TEXSTAR** ST Bias Tires • **AGSTAR** Implement Tires • **ALLSTAR XL** ST Bias Tires



What you want - When you want it!

National Association of Trailer Manufacturers member



Proud Member 2014



NATDA

North American Trailer Dealers Association



New Products

- **TRAILFINDER-HT RADIAL - ALL*STAR XL BIAS**

Beginning 2015, TRAILSTAR'S introduced exclusive brands of radial and bias tires. Designed and built to meet the high standards of equipment manufacturers. "HANDS DOWN" the best value in the industry. Check our catalog for Specification.

- 14 ply All Steel radials are rated at 4,000/3,750 lbs.
- 12 ply ST radials are rated at 4,000/3,520 lbs.

- **SenDel STYLIZED ALUMINUM WHEELS**

All new for 2014, TRAILSTAR offers the complete line of SenDel wheels. Sizes and Styles to fit standard trailer applications from 12" to 17.5" dia. Up to 3,750 lbs.

See our catalog for more details.

Quoted on request.

Just a few more details we would like to point out that make TRAILSTAR stand out.

- Our standard ST225/75R15 TRAILFINDER-HT is a 10 ply tire LRE. Check out our pricing!
- TRAILFINDER Medium Tires are now available from 17.5". See our catalog for detailed specifications.
- All 16" 8 lug single steel wheels are rated to 4,000 lbs.
- All 16" dual wheels are rated to 3,750 lbs.
- We offer a 17.5X6.75 8lug 6.5" bolt circle Dual Steel Wheel. (requires a flange nut)
4.75" Hub Pilot ONLY

TRAILSTAR - the most requested tire & wheel assemblies in the industry.

From 10" through 24.5" in stock -
buy one tire or a truckload.

TRAILSTAR - ST RADIAL TIRES

CALL (903) 886-4067 FAX (903) 886-4768



TRAILFINDER - HT RADIALS by TRAILSTAR



SIZE	LOAD RANGE	PLY RATING	OD	SW	MAX LOAD (lbs.)	PSI (lbs.)
ST175/80R13	LRC	6	23.8	7.0	1360	50
ST185/80R13	LRD	8	24.4	7.4	1710	65
ST205/75R14	LRC	6	25.9	7.9	1760	50
ST205/75R15	LRC	6	26.9	8.2	1820	50
ST225/75R15	LRE	10	28.2	9.0	2830	80
ST235/80R16	LRE	10	30.6	9.3	3520/3080	80
ST235/85R16	LRF	12	31.8	9.4	4000/3520	110



TRAILFINDER - HT ALL STEEL RADIAL by TRAILSTAR



SIZE	LOAD RANGE	PLY RATING	OD	SW	MAX LOAD (lbs.)	PSI (lbs.)
235/85R16	LRG	14	30.6	9.3	4000/3750	120

TRAILSTAR - MEDIUM TRUCK RADIAL TIRES

CALL (903) 886-4067 FAX (903) 886-4768



TRIANGLE TR-677 ALL STEEL



SIZE	LOAD RANGE	PLY RATING	OD	SW	MAX LOAD (lbs.)	PSI (lbs.)
11R22.5	143/139	16	41.5	11.5	6610/6005	120
11R24.5	146/143	16	42.9	11.5	7160/6610	120

National Association of Trailer Manufacturers member



North American Trailer Dealers Association

TRAILSTAR - MEDIUM TRUCK RADIAL TIRES

CALL (903) 886-4067 FAX (903) 886-4768



TRIANGLE TR-656 ALL STEEL



SIZE	LOAD RANGE	PLY RATING	OD	SW	MAX LOAD (lbs.)	PSI (lbs.)
255/70R22.5	140/137	16	36.6	10.1	5,510/5,070	120



TRAILFINDER TSM96 ALL STEEL



SIZE	LOAD RANGE	PLY RATING	OD	SW	MAX LOAD (lbs.)	PSI (lbs.)
215/75R17.5	LRH	16	30.2	8.3	4805/4540	125
235/75R17.5	LRJ	18	30.2	9.17	6005/5675	125

National Association of Trailer Manufacturers member



North American Trailer Dealers Association

TRAILSTAR - TRAILER BIAS TIRES

CALL (903) 886-4067 FAX (903) 886-4768



TEX★STAR P-811 by TRAILSTAR



SIZE	LOAD RANGE	PLY RATING	OD	SW	MAX LOAD (lbs.)	PSI (lbs.)
4.80-12	LRB	4	20.5	4.6	780	60
5.30-12	LRC	6	21.5	5.5	1045	80



TEX★STAR P-825 by TRAILSTAR



SIZE	LOAD RANGE	PLY RATING	OD	SW	MAX LOAD (lbs.)	PSI (lbs.)
205/65-10	LRD	8	20.50	8.0	1320	70



TEX★STAR QH-505 by TRAILSTAR



SIZE	LOAD RANGE	PLY RATING	OD	SW	MAX LOAD (lbs.)	PSI (lbs.)
7.00-15	LRE	10	29.50	7.90	2335	80
7.50-16	LRE	10	33.50	8.50	2780	75

National Association of Trailer Manufacturers member



North American Trailer Dealers Association

TRAILSTAR - TRAILER BIAS TIRES

CALL (903) 886-4067 FAX (903) 886-4768



ALL★STAR XL by TRAILSTAR



SIZE	LOAD RANGE	PLY RATING	OD	SW	MAX LOAD (lbs.)	PSI (lbs.)
ST175/80D13	LRC	6	24.41	6.8	1360	50
ST205/75D14	LRC	6	26.14	7.9	1760	50
ST205/75D15	LRC	6	26.97	8.0	1820	50
ST225/75D15	LRD	8	28.70	8.4	2540	65



TEX★STAR H-188 by TRAILSTAR



SIZE	LOAD RANGE	PLY RATING	OD	SW	MAX LOAD (lbs.)	PSI (lbs.)
ST205/75D15	LRC	6	26.97	8.0	1820	50
ST225/75D15	LRD	8	28.70	8.4	2540	65

AG★STAR by TRAILSTAR



SIZE	PLY RATING	OD	SW	MAX LOAD (lbs.)	PSI (lbs.)
9.5L-15 I-1	8	30.70	9.4	2470	44
11L-15 I-1	8	31.90	11.0	2540	36

National Association of Trailer Manufacturers member



North American Trailer Dealers Association

TRAILSTAR - TRAILER WHEELS - STEEL

CALL (903) 886-4067 FAX (903) 886-4768

BLACK

WHITE

SILVER

GALVANIZE

CHROME



MODULAR		SPOKE		SOLID
SIZE	BOLT PATTERN	CENTER BORE	OFFSET	MAX LOAD
12X4	5-4.5	3.19	0	1220
13X4.5	5-4.5	3.19	0	1660
14X5.5	5-4.5	3.19	0	1870
15X5	5-4.5	3.19	0	1870
15X5	5-4.75	3.19	0	1870
15X5	5-5	3.19	0	1870
15X5	5-5.5	3.19	0	1870
15X6	6-5.5	4.28	0	2600
15X8 Solid	6-6	4.65	1.12	3000
16X6	6-5.5	4.28	0	3200
16X6	8-6.5	4.90	0	4000
16X6 (Silver Mod Only)	8-6.5	4.90	+0.5	4000

White Wheels come with Red/Blue Stripes
 Chrome Wheels are clear coat with rivet.
 See accessories for Cap and Lug Information.

TRAILSTAR - TRAILER WHEELS - STEEL

WHITE

SILVER

GALVANIZE

2 PIECE SOLID



SIZE	CENTER BORE	OFFSET	MAX LOAD
10X6	5-4.5	2.81"	3+3 1800

TRAILSTAR - TRAILER WHEELS - HD STEEL

CALL (903) 886-4067 FAX (903) 886-4768

SILVER DUAL



SIZE	BOLT PATTERN	CENTER BORE	INSET	MAX LOAD
16X6	8-6.5	4.75"	5.5"	3750
16X6	8-6.5	4.88"	5.5"	3750

HEAVY DUTY SINGLE

17.5"



SIZE	BOLT PATTERN	CENTER BORE	OFFSET	MAX LOAD
17.5X6.75	8-6.5	4.75"	+0.5" & -0.19"	6005

HEAVY DUTY DUALS

17.5"

SIZE	BOLT PATTERN	CENTER BORE	OFFSET	MAX LOAD
17.5X6.75	8 on 275mm & 8-6.50"	221mm & 4.75" (only)	142mm	6200
17.5X6.75	10 on 8.75"	165.1mm	156mm	6200
22.5X8.25	10 on 285.75mm	220mm	168mm	7400
24.5X8.25	10 on 285.75mm	220mm	168mm	7400
22.5/24.5X8.25 Demountable				7400

22.5" / 24.5"



8 LUG ON 275 MM

8 LUG ON 6.5" BC

HUB and STUD PILOTED - 2 AND 5 HAND HOLE DEMOUNTABLE

TRAILSTAR - TRAILER WHEELS - ALUMINUM

By SenDel



T02

SIZE	BOLT PATTERN	CENTER BORE	INSET	MAX LOAD
13X4.5	5-4.5	3.19	0.0	1660
15X6	5-4.5	3.19	0.0	2150
15X6	6-5.5	4.25	0.0	2830
16X6	8-6.5	4.90	0.0	3750



T07

SIZE	BOLT PATTERN	CENTER BORE	INSET	MAX LOAD
15X6	5-4.5	3.19	0.0	2150
15X6	6-5.5	4.25	0.0	2830
16X6	6-5.5	4.25	0.0	3200
16X6	8-6.5	4.90	0.0	3750



T09

SIZE	BOLT PATTERN	CENTER BORE	INSET	MAX LOAD
14X5.5	5-4.5	3.19	0.0	2200
15X6	5-4.5	3.19	0.0	2150
15X6	6-5.5	3.75	0.0	2830
16X6	8-6.5	4.90	0.0	3750



T13

SIZE	BOLT PATTERN	CENTER BORE	INSET	MAX LOAD
15X6	5-5	3.19	0.0	2150
15X6	6-5.5	3.75	0.0	2830



S20T Black

SIZE	BOLT PATTERN	CENTER BORE	INSET	MAX LOAD
15X6	5-5	3.19	0.0	2150



S20T

SIZE	BOLT PATTERN	CENTER BORE	INSET	MAX LOAD
15X6	5-4.5	3.19	0.0	2150
15X6	5-5	3.19	0.0	2150
15X6	6-5.5	3.75	0.0	2830
16X6	8-6.5	4.90	0.0	3750



Matte

T08

SIZE	BOLT PATTERN	CENTER BORE	INSET	MAX LOAD
15X6	5-4.5	3.19	0.0	2150
15X6	6-5.5	3.75	0.0	2830
16X6	8-6.5	4.90	0.0	3750



BMLS

TRAILSTAR - TRAILER WHEEL ACCESSORIES

CALL (903) 886-4067 FAX (903) 886-4768



STEEL CHROME CAPS

2.95"
3.19"
3.30"
4.25"
4.90"
5.15"



STAINLESS STEEL CAPS

3.19"
3.30"
4.25"
4.90"
5.15"



L1004H

LUG NUTS 1/2" ACORN HEAT TREATED-CHROME

7/8 HEX, 1.88" TALL, DUPLEX ACORN

Buy your mounted assemblies
from the company that started it all!

TRAILSTAR - the most requested tire &
wheel assemblies in the industry.

From 10" through 24.5" in stock -
buy one tire or a truckload.

**We combine the best customer service with the
best product and a 99.9% fill rate - the highest in the business.**

*"Competitive pricing and Great service,
that's why I choose TRAILSTAR!!!"*
Ronnie Lambert - Circle M Trailers

*"We have always received what we ordered and in
our business this is unusual. Trailstar's
employees are very pleasant and reliable."*
John Kerr - Kerr-Bilt Trailers, LLC

*"By far the most friendly and easiest tire
and wheel distributor in the market
today. Prices are always
competitive and service is unmatched in
the industry. . .it is hard to believe that
there is another company out there that
offers the same level of
professionalism and concern for my
business as Trailstar."
Shannon Rusk - Owner
East Texas Longhorn Trailers LLC.*

*"Trailstar has been a reliable supplier for our entire tire
and wheel needs for over 15 years. We depend on Trail-
star to help us keep our products competitive by providing
us with quality products at a competitive price. But
Trailstar's finest quality is their outstanding service."
Darrell Rogers, President - Falcon TrailerWorks Inc.*



TODAY AND TOMORROW



TRAILSTAR was founded in November 1995 by Les Arnold with the sole intention of being the very best supplier the utility trailer industry ever had and that mentality remains even stronger today, with a proven 99.9 percent fill-rate and time tested quality tire & wheel assemblies our specialty, growth has been nothing short of phenomenal.

TRAILSTAR has grown from one shop located on one half acre in Commerce Texas to seven shops and one fully automated inflation machine spread over two locations and sixteen acres all owned by Les Arnold with no long or short term debt.

Management is the key to any operation and again we lead the industry starting with the Owner/CEO Les Arnold who founded **TRAILSTAR** after a highly successful career in Manufactured Housing with over twenty years' experience in various positions from General Manager to Vice-President and Director of Purchasing of multiple plant operations from coast to coast. Having been a Purchasing Manager all his adult life provided the impetus to found **TRAILSTAR** and service the utility trailer industry from a Purchasing manager's perspective, no back-orders, extremely competitive pricing, on time delivery, quality products and un-paralleled warranty and service when required.

Serving as President and C.O.O., Kurt Arnold also has extensive Manufactured Housing experience in various capacities starting to work for his father as a fork lift driver/head receiver and advancing through the ranks into purchasing and management at various facilities his father managed. Kurt not only oversees the day to day plant activities but makes the final decision on all warranty, something you won't find anywhere else.

Serving as Vice-President Sales & Marketing, Richard Kearney brings a wealth of industry experience especially on the wheel side where he was General Manager of a large U.S. Wheel manufacturer in California prior to joining **TRAILSTAR** and held several key management roles with Greenball and other companies within the industry.

TRAILSTAR continues to be copied but has never been duplicated, having started the mounted assembly program brought over from manufactured housing it is the industry standard today. **TRAILSTAR** also was the first to import Chinese tires, something unheard of until **TRAILSTAR** was founded and of course continues today, stronger than ever. Although not as well-known as others servicing the mounted assembly segment of the Utility Trailer industry **TRAILSTAR** is a Multi-million dollar company with record annual growth and is set financially to lead the industry for years to come.

10716 Highway 224, Commerce, Texas 75428
(903) 886-4067 fax (903) 886-4768 trailstar@embarqmail.com



903-886-4067
Fax: 903-886-4768
trailstar@embarqmail.com

Tire/Wheel Warranty Information

We are pleased to supply the tire and wheel assemblies on your trailer. Should you experience problems with any tire or wheel or assemblies please fill out and email or fax direct to **TRAILSTAR** for immediate action.

Please take time to review the below listed warranty limitations and guidelines.

What Is Warranted and For How Long

Your tires are warranted against failure due to defective materials and workmanship.

Tires are eligible for warranty if presented not more than 1 year from date of manufacture (D.O.M.) of your trailer and has a minimum of 2/32 tread remaining.

Computing Treadwear

Treadwear is computed as a percentage of the original, usable tread. The original, usable tread does not include the last 2/23rd inch of tread depth.

What Is Not Covered by the Warranty

Failures due to fire, accident, malicious mischief, improper inflation, improper use, running flat, **overloading or road hazards**. Example of road hazard include nails, glass, and other foreign objects and natural and man-made defects or obstacles, such as excavations, construction, potholes, and chuckholes. Damages caused by road hazards include cuts, snags, punctures, scuffs, carcass bruises and impact breaks.

- Premature or irregular wear due to improper inflation or alignment or balance.
- Tires presented by other than the original consumer
- Tires with weather cracking which were purchased more than 1-year prior to presentation for adjustment. If you have no proof of purchase date, tire manufactured 1 year prior to presentation are not covered.
- Loss of time, inconvenience, loss of use of the vehicle, costs of towing or transportation or consequential damages of any type or nature.
- Any implied warranty, including merchantability or fitness is limited to the duration of this written warranty or 1 year whichever is less.
- Balancing or mounting charges.

Note: The limited warranty is the entire warranty by **TRAILSTAR and **TRAILSTAR's** complete obligation is as set forth herein. No one has authority to imply, suggest, agree represent, warrant or promise contrary to the terms hereof.

TRAILSTAR

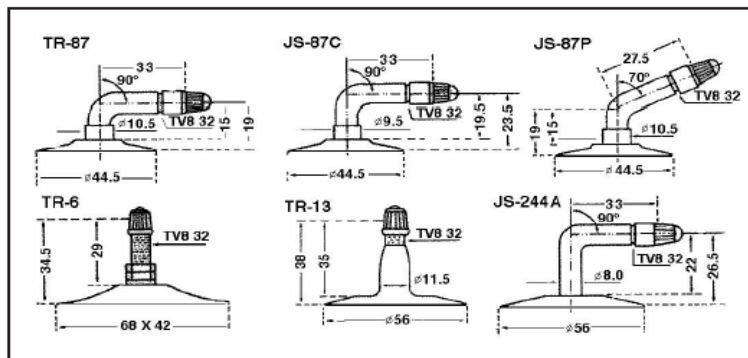
1st
in Service

903-886-4067

Fax: 903-886-4768

TERMS & CONDITIONS

1. **Payment:** Net 30 days from invoice date on approved credit.
2. **Freight Charges:** Additional freight charges may apply based on order quantity.
3. **Shipments:** To one location per order. Any additional drop-off charge for multiple location shipments will be prepaid, with drop-off charges added to the invoice.
4. **Returns:**
 - a. ALL returns require authorization by a TRAILSTAR representative before drop off.
 - b. Returns must be received within ten (10) days of receipt of shipment. Customer must ensure that returned products are packaged and returned in their original condition.
 - c. Non-defective material will incur a 20% restocking fee.
 - d. Special orders and discontinued items cannot be returned.
 - e. No credit can be issued until an inspection is made and the defect is verified. Credit will be issued at original invoice price only.
5. **Claims:** Shortage claims, error or defect in shipment must be made within 72 hours of receipt of goods. Claims for damage or loss in transit must be made directly with the carrier.
6. **Prices:** Prices and terms are subject to change without notice.



WARNING

Tire Mounting can be dangerous if not done by trained personnel using proper tools and equipment. For your own safety, seller recommends that users have tires and inner tubes changed by experienced service personnel.

Weight or Quantity Minimum for delivered pricing terms is subject to change due to outside (external) influences. You will be requested to approve any additional expenses or price changes prior to the shipment of your order.

TRAILSTAR strives to ensure the accuracy of all information contained in this catalog. However, misprints, inaccuracies, omissions and other errors may occur.

TRAILSTAR does not take responsibility for any errors, misprints, omissions or any other inaccuracies found herein; including but not limited to product information, specifications or item availability.

All of the Items we sell are subject to continuous development and design. TRAILSTAR reserves the right to change construction, materials, or specifications without notice or obligation.

NOTES

TRAILSTAR

1st
in Service
Commerce, Texas

TRAILFINDER ST Radial Tires

TEX★STAR ST Bias Tires

AG★STAR Implement Tires

10716 Hwy. 224, Commerce TX 75428

TRAILSTAR offers the best wholesale trailer tire and wheel service you'll find anywhere.



TRAILSTAR
1st
in Service
Commerce, Texas



www.trailstartirewheel.com

Richard Kearney
Vice President Sales & Marketing
Cell (714) 936-6176
rkearney04@yahoo.com

10716 Hwy. 224
Commerce, TX 75428
(903) 886-4067
Fax (903) 886-4768
trailstar@embarqmail.com