

TRAILSTAR



*1st
in Service*

2018

Catalog

Commerce, Texas

TRAILFINDER
====Highway====
ST RADIAL TIRES

TRAILQUEST
ST RADIAL TIRES

AG★STAR
Implement Tires

ALL★STAR XL
ST BIAS TIRES

TEX★STAR
ST BIAS TIRES

What you want - When you want it!

National Association of Trailer Manufacturers member



Proud Member 2014



NATDA

North American Trailer Dealers Association



TRAILSTAR

1st
in Service



- TRAILFINDER-HT RADIAL - ALL*STAR XL BIAS

TRAILSTAR'S exclusive brands of radial and bias tires are designed and built to meet the high standards of equipment manufacturers. "HANDS DOWN" the best value in the industry. Check our catalog for Specification.

- 14 ply All Steel radials are rated at 4,000/3,750 lbs.
- 12 play ST radials are rated at 4,000/3,520 lbs.



- SenDel STYLIZED ALUMINIUM WHEELS

TRAILSTAR offers the complete line of SenDel Aluminum wheels. Sizes and Styles to fit most standard trailer applications from 12" to 17.5" diameter. Up to 3,750 lbs.

See our catalog for more details.

Just a few more details we would like to point out that make TRAILSTAR stand out.

- Our standard ST225/75R15 TRAILFINDER HT is a 10 ply rated tire LRE.
- TRAILFINDER ST Tires are now available from 17.5". See our catalog for detailed specifications.
- All 16" 8 lug single steel wheels are rated to 4,000 lbs.
- All 16" dual wheels are rated to 3,750 lbs.
- We offer a 17.5" x 6.75" 8 lug 6.5" bolt circle Dual Steel Wheel. (requires flange nut)
4.75" Hub Pilot ONLY

TRAILSTAR - the most requested tire &
wheel assemblies in the industry



**From 10" through 17.5" in stock -
buy one tire or a truckload.**

TRAILSTAR LLC • 10716 HWY 224, COMMERCE, TX 75428 • (903) 886-4067 • FAX (903) 886-4768

TRAILSTAR - ST RADIAL TIRES

TRAILFINDER - HT RADIALS by TRAILSTAR



SIZE	LOAD RANGE	PLY RATING	OD	SW	MAX LOAD (lbs.)	PSI (lbs.)
<u>ST175/80R13</u>	LRC	6	23.8	7.0	1360	50
<u>ST185.80R13</u>	LRD	8	24.4	7.4	1710	65
<u>ST205.75R14</u>	LRC	6	25.9	7.9	1760	50
<u>ST205/75R15</u>	LRC	6	26.9	8.2	1820	50
<u>ST225/75R15</u>	LRE	10	28.2	9.0	2830	80
<u>ST235/80R16</u>	LRE	10	30.6	9.3	3520/3080	80
<u>ST235/85R16</u>	LRF	12	31.8	9.4	4000/3520	110

TRAILFINDER -HT ALL STEEL RADIAL by TRAILSTAR



SIZE	LOAD RANGE	PLY RATING	OD	SW	MAX LOAD (lbs.)	PSI (lbs.)
235/80R16	LRG	14	30.6	9.3	4000/3750	120

National Association of Trailer Manufacturers member



North American Trailer Dealers Association

TRAILSTAR - ST RADIAL TIRES



TRAILFINDER TF200 ALL STEEL

by **TRAILSTAR**

SIZE	LOAD RANGE	PLY RATING	OD	SW	MAX LOAD (lbs.)	PSI (lbs.)
215.75R17.5	LRH	16	30.2	8.3	4805/1540	125
235/75R17.5	LRJ	18	30.2	9.17	6005/5675	125



TRAILQUEST -HT RADIALS by **TRAILSTAR**

SIZE	LOAD RANGE	PLY RATING	OD	SW	MAX LOAD (lbs.)	PSI (lbs.)
ST205/75R15	LRC	6	26.85	7.76	1820	50
ST225/75R15	LRD	8	27.99	8.50	2540	65
ST235/80R16	LRE	10	30.43	8.98	3520/3080	80

National Association of Trailer Manufacturers member



North American Trailer Dealers Association

TRAILSTAR - TRAILER BIAS TIRES



TEX STAR by TRAILSTAR

SIZE	LOAD RANGE	PLY RATING	OD	SW	MAX LOAD (lbs.)	PSI (lbs.)
4.80-12	LRB	4	20.5	4.6	780	60
5.30-12	LRC	6	21.5	5.5	1045	80



TEX STAR P-285 by TRAILSTAR

SIZE	LOAD RANGE	PLY RATING	OD	SW	MAX LOAD (lbs.)	PSI (lbs.)
205/65-10	LRD	8	20.50	8.0	1320	70



TEX STAR QH-505 by TRAILSTAR

SIZE	LOAD RANGE	PLY RATING	OD	SW	MAX LOAD (lbs.)	PSI (lbs.)
7.00-15	LRE	10	29.50	7.9	2335	80
7.50-16	LRE	10	33.50	8.5	2780	75



National Association of Trailer Manufacturers member



North American Trailer Dealers Association

TRAILSTAR - TRAILER BIAS TIRES



ALL STAR XL by TRAILSTAR

SIZE	LOAD RANGE	PLY RATING	OD	SW	MAX LOAD (lbs.)	PSI (lbs.)
ST175/80D13	LRC	6	24.41	6.8	1360	50
ST205/75D14	LRC	6	26.14	7.9	1760	50
ST205/75D15	LRC	6	26.97	8.0	1820	50
ST225/75D15	LRC	8	28.70	8.4	2540	65



TEX STAR H-188 by TRAILSTAR

SIZE	LOAD RANGE	PLY RATING	OD	SW	MAX LOAD (lbs.)	PSI (lbs.)
ST205/75D15	LRC	6	26.97	8.0	1820	50
ST225/75D15	LRD	8	28.70	8.4	2540	65



AG STAR by TRAILSTAR

SIZE	PLY RATING	OD	SW	MAX LOAD (lbs.)	PSI (lbs.)
9.5L-15 I-1	8	30.70	9.4	2470	44
11L-15 I-1	8	31.90	11.0	2540	36

National Association of Trailer Manufacturers member



North American Trailer Dealers Association

TRAILSTAR - TRAILER WHEELS - STEEL

BLACK • WHITE • SILVER • GALVANIZE • CHROME



MODULAR		SPOKE		SOLID
SIZE	BOLT PATTERN	CENTER BORE	OFFSET	MAX LOAD
12 x 4	5 - 4 1/2	3.19	0	1220
13 x 4.5	5 - 4 1/2	3.19	0	1660
14 x 5.5	5 - 4 1/2	3.19	0	1870
15 x 5	5 - 4 1/2	3.19	0	1870
15 x 5	5 - 4 3/4	3.19	0	1870
15 x 5	5 - 5	3.19	0	1870
15 x 5	5 - 5 1/2	3.19	0	1870
15 x 6	6 - 5 1/2	4.28	0	2850
15 x 8 Solid	6 - 6	4.65	1.12	3000
16 x 6	6 1/2 - 5	4.28	0	3200
16 x 6	8 - 6 1/2	4.90	0	4000
16x6 (Silver Mod Only)	8 - 6 1/2	4.90	+0.05	4000

White Wheels come with Red/Blue Stripes
 Chrome Wheels are clear coat with rivet.
 See accessories for Cap and Lug information.

TRAILSTAR - TRAILER WHEELS - STEEL

2 PIECE SOLID

SIZE	BOLT PATTERN	CENTER BORE	OFFSET	MAX LOAD
10 x 6	5 - 4 1/2	2.81"	3+3	1800

TRAILSTAR - TRAILER WHEELS - HD STEEL

SILVER DUAL



SIZE	BOLT PATTERN	CENTER BORE	OFFSET	MAX LOAD
16x6	8 - 6 ½	4.75"	5.5"	3750
16x6	8 - 6 ½	4.88"	5.5"	3750

HEAVY DUTY SINGLE 17.5"



SIZE	BOLT PATTERN	CENTER BORE	OFFSET	MAX LOAD
17.5x6.75	8 - 6 ½	4.75"	+0.5" & -0.19"	6005

HEAVY DUTY DUALS 17.5"



8 lug on 275 mm



8 lug on 6.5" BC

SIZE	BOLT PATTERN	CENTER BORE	OFFSET	MAX LOAD
<u>17.5x6.75</u>	<u>8 on 275mm & 8 - 6 ½"</u>	<u>221mm & 4.75" (only)</u>	<u>142mm</u>	<u>6200</u>
17.5x6.75	10 on 8 ¾"	165. mm	156mm	6200





S20T

SIZE	BOLT PATTERN	CENTER BORE	OFFSET	MAX LOAD
15x6	5-4.5	3.19	0.0	2150
15x6	5-5	3.19	0.0	2150
15x6	6-5 ½	3.75	0.0	2830
16x6	8-6 ½	4.90	0.0	3750



T02

SIZE	BOLT PATTERN	CENTER BORE	OFFSET	MAX LOAD
13x4.5	5-4.5	3.19	0.0	1660
15x6	5-4.5	3.19	0.0	2150
15x6	6-5.5	4.25	0.0	2830
16x6	8-6.5	4.90	0.0	3750



T07

Black

SIZE	BOLT PATTERN	CENTER BORE	OFFSET	MAX LOAD
15x6	5-4.5	3.19	0.0	2150
15x6	5-5	3.19	0.0	2150
15x6	6-5.5	4.25	0.0	2830
16x6	6-5.5	4.25	0.0	3200
16x6	8-6.5	4.90	0.0	3750



T08

MBML

SIZE	BOLT PATTERN	CENTER BORE	OFFSET	MAX LOAD
15x6	5-4.5	3.19	0.0	2150
15x6	6-5.5	3.75	0.0	2830
16x6	8-6.5	4.90	0.0	3750



T08

BMLS



T09

SIZE	BOLT PATTERN	CENTER BORE	OFFSET	MAX LOAD
14x5.5	5-4.5	3.19	0.0	2200
15x6	5-4.5	3.19	0.0	2150
15x6	6-5.5	3.75	0.0	2830
16x6	8-6.5	4.90	0.0	3750



DUAL

SIZE	BOLT PATTERN	CENTER BORE	OFFSET	MAX LOAD
17.5x6.75	8-275mm	221.20mm	+122	5680 lbs.



SINGLE

SIZE	BOLT PATTERN	CENTER BORE	OFFSET	MAX LOAD
17.5x6.75	8-6.5"	4.77"	0"	6050 lbs.

Accessories Shown here are Sold Separately

HUB COVER FOR 17.5 ALCOA ALUM SINGLE

5/8" TWO PIECE FLANGE NUTS FOR 17.5 ALCOA ALUM SINGLE

NUT COVER FOR 17.5 ALCOA ALUM SINGLE

STEEL CHROME CAPS



2.95"
3.19"
3.30"
4.25"
4.90"
5.15"



LUG NUTS 1/2" ACORN HEAT TREATED-CHROME

7/8 HEX, 1.88" TALL, DUPLEX ACORN

**Buy your mounted assemblies
from the company that started it all!**



*1st
in Service*

**The most requested tire & wheel
assemblies in the industry**

**From 10" to 17.5" in stock -
buy one tire or a truckload**

**We combine the best customer service with the
best product and a 99.9% fill rate - the highest in the business.**

*"Competitive pricing and Great service,
that's why I choose TRAILSTAR!!!"
Ronnie Lambert - Circle M Trailers*

*"We have always received what we ordered and in
our business this is unusual. Trailstar's
employees are very pleasant and reliable."
John Kerr - Kerr-Bilt Trailers, LLC*

*"By far the most friendly and easiest tire
and wheel distributor in the market
today. Prices are always
competitive and service is unmatched in
the industry...it is hard to believe that
there is another company out there that
offers the same level of
professionalism and concern for my
business as Trailstar."
Shannon Rusk - Owner
East Texas Longhorn Trailers, LLC.*

*"Trailstar has been a reliable supplier for our entire tire
and wheel needs for over 15 years. We depend on
Trailstar to help us keep our products competitive by providing
us with quality products at a competitive price.
But Trailstar's finest quality is their outstanding service."
Darrell Rogers, President - Falcon TrailerWorks, Inc.*



North American Trailer Dealers Association

TODAY AND TOMORROW

TRAILSTAR
1st
in Service



TRAILSTAR was founded in November 1995 by Les Arnold with the sole intention of being the very best supplier the utility trailer industry ever had and that mentality remains even stronger today. With a proven 99.9 percent fill-rate and time tested quality tire & wheel assemblies as our specialty, growth has been nothing short of phenomenal.

TRAILSTAR has grown from one shop located on one half acre in Commerce, Texas, to seven shops and one fully automated inflation machine spread over two locations and sixteen acres, all owned by Les Arnold, with no long or short term debt.

Management is the key to any operation and again we lead the industry starting with the Owner/CEO, Les Arnold. Les founded **TRAILSTAR** after a highly successful career in Manufactured Housing with over twenty years' experience in various positions from General Manager to Vice-President and Director of Purchasing of multiple plan operations from coast to coast. Having been a Purchasing Manager all his adult life, it provided the impetus to found **TRAILSTAR** and service the utility trailer industry from a Purchasing Manager's perspective; no back-orders, extremely competitive pricing, on time delivery, quality products and unparalleled warranty and service when required.

Serving as President and C.O.O, Kurt Arnold also has extensive Manufactured Housing experience in various capacities, starting to work for his father as a fork lift driver/head receiver and advancing through the ranks into purchasing and management at various facilities his father managed. Kurt not only oversees the day to day plant activities but makes the final decision on all warranties, something you won't find anywhere else.

Serving as Vice-President for Sales & Marketing, Richard Kearney brings a wealth of industry experience, especially on the wheel side, where he was General Manager of a large U.S. Wheel manufacturer in California prior to joining **TRAILSTAR** and held several key management roles with Greenball and other companies within the industry.

TRAILSTAR continues to be copied but has never been duplicated. Having started the mounted assembly program brought over from manufactured housing, it is the industry standard today. **TRAILSTAR** also was the first to import Chinese tires, something unheard of until **TRAILSTAR** was founded and of course continues today, stronger than ever. Although not as well-known as others servicing the mounted assembly segment of the Utility Trailer industry, **TRAILSTAR** is a multi-million dollar company with record annual growth and is set financially to lead the industry for years to come.



903-886-4067

Fax: 903-886-4768

trailstar@embarqmail.com

Tire/Wheel Warranty Information

We are pleased to supply the tire and wheel assemblies on your trailer. Should you experience problems with any tire or wheel or assemblies please fill out and email or fax direct to **TRAILSTAR** for immediate action.

Please take time to review the below listed warranty limitations and guidelines.

What Is Warranted and For How Long

Your tires are warranted against failure due to defective materials and workmanship.

Tires are eligible for warranty if presented not more than 1 year from date of manufacture (D.O.M.) of your trailer and has a minimum of 2/32" tread remaining.

Computing Treadwear

Treadwear is computed as a percentage of the original, usable tread. The original, usable tread does not include the last 2/32" of tread depth.

What is Not Covered by the Warranty

Failures due to fire, accident, malicious mischief, improper inflation, improper use, running flat, overloading, or road hazards. Example of road hazard includes nails, glass, and other foreign objects and natural and man-made defects or obstacles, such as excavations, construction, potholes, and chuckholes. Damages caused by road hazards include cuts, snags, punctures, scuffs, carcass bruises and impact breaks.

- Premature or irregular wear due to improper inflation or alignment or balance.
- Tires presented by other than the original consumer.
- Tires with weather cracking which were purchased more than 1-year prior to presentation are not covered.
- Loss of time, inconvenience, loss of use of the vehicle, costs of towing or transportation or consequential damages of any type or nature.
- Any implied warranty, including merchantability or fitness is limited to the duration of this written warranty or 1 year, whichever is less.
- Balancing or mounting charges.

****Note:** The limited warranty is the entire warranty by **TRAILSTAR** and **TRAILSTAR's** complete obligation is as set forth herein. No one has the authority to imply, suggest, agree, represent, warrant or promise contrary to the terms hereof.

TRAILSTAR

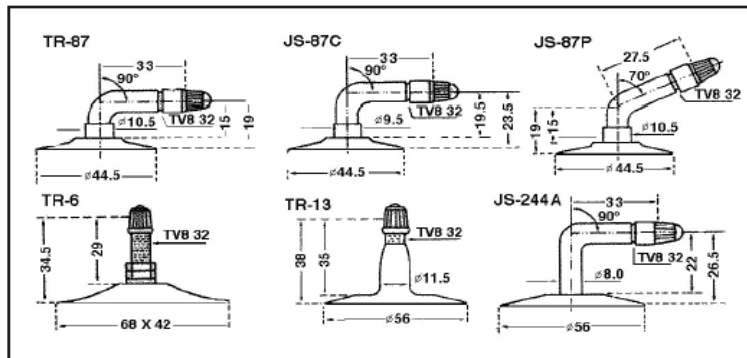
1st
in Service

903-886-4067

Fax: 903-886-4768

TERMS & CONDITIONS

- Payment:** Net 30 days from invoice date on approved credit.
- Freight Charges:** Additional freight charges may apply based on order quantity.
- Shipments:** To one location per order. Any additional drop-off charge for multiple location shipments will be prepaid, with drop-off charges added to the invoice.
- Returns:**
 - ALL returns require authorization by a TRAILSTAR representative before drop off.
 - Returns must be received within ten (10) days of receipt of shipment. Customer must ensure that returned products are packaged and returned in their original condition.
 - Non-defective material will incur a 20% restocking fee.
 - Special orders and discontinued items cannot be returned.
 - No credit can be issued until an inspection is made and the defect is verified. Credit will be issued at original invoice price only.
- Claims:** Shortage claims, error or defect in shipment must be made within 72 hours of receipt of goods. Claims for damage or loss in transit must be made directly with the carrier.
- Prices:** Price and terms are subject to change without notice.



WARNING

Tire Mounting can be dangerous if not done by trained personnel using proper tools and equipment. For your own safety, seller recommends that users have tires and inner tubes changed by experienced service personnel.

Weight or Quantity Minimum for delivered pricing terms is subject to change due to outside (external) influences. You will be requested to approve any additional expenses or price changes prior to the shipment of your order.

TRAILSTAR strives to ensure the accuracy of all information contained in this catalog. However, misprints, inaccuracies, omissions and other may occur.

TRAILSTAR does not take responsibility for any errors, misprints, omissions or any other inaccuracies found herein; including but not limited to product information, specifications or item availability.

All of the items we sell are subject to continuous development and design, TRAILSTAR reserves the right to change construction, materials, or specifications without notice or obligation.

TRAILSTAR

ST Trailer Tires

The Key to Getting the Most Out of your ST-TIRES is to Perform Regular Tire Maintenance



TRAILSTAR began distributing trailer tire and wheel assemblies to trailer manufacturers over 20 years ago. Today, TRAILSTAR produces four brands of quality ST-tires: Our radial ST-tires, the TRAILFINDER HT and NEW THIS YEAR the TRAILQUEST along with our bias ST-tires, the All[®]Star and Tex[®]Star.

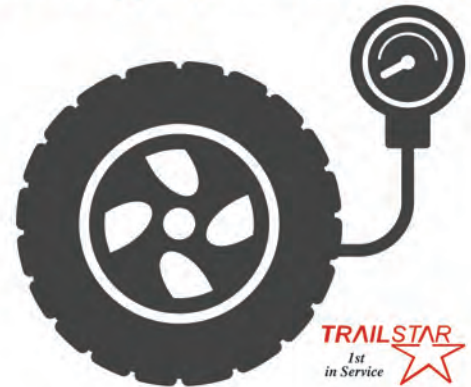
Tread Depth

- ▶ Your tires should have a minimum tread depth of **1/16 inch**. Measure this with a proper tire tread depth gauge.

Monitor your tire pressure frequently using a using a pressure gauge.

Do this at least monthly.

- ▶ Take a pressure **reading when your tires are cold** (not driven on) and when the trailer is empty and sitting on a flat surface. The maximum PSI (pounds per square inch) is found on the sidewall of the tire along with the maximum load rating.
- ▶ ST-tires should be inflated to their **Maximum Air Pressure**.
- ▶ **Do not overinflate your tires.** As you drive, the heat generated will naturally cause the tires to expand. If you've overinflated the tire you risk a blowout.
- ▶ In addition to regular tire maintenance, **take a walk around your trailer before you drive away from a stop.** Make sure the load is still secure and wheels are tight and roll freely.



- ▶ **“NEVER LOAD THE TRAILER BEYOND THE MANUFACTURER’S DESIGN LIMIT (GVW).”**
- ▶ **Load your trailer heavier in front** (unless otherwise directed by the trailer manufacturer)
- ▶ The trailer should have about **60%** of the cargo weight in front and **40%** in the back.

This information is available online at WWW.TRAILSTARTIREWHEEL.COM. You will also find a complete listing of our product line and catalog online and a PDF format for download.

We are the BEST! Service 1st!



NOTES

TRAILSTAR

1st
in Service
Commerce, Texas

TRAILFINDER ST Radial Tires

TRAILQUEST ST Radial Tires

ALL★STAR XL ST Bias Tires

TEX★STAR ST Bias Tires

AG★STAR Implement Tires

10716 Hwy. 224, Commerce TX 75428

TRAILSTAR offers the best wholesale trailer tire and wheel service you'll find anywhere.



TRAILSTAR
1st
in Service
Commerce, Texas



www.trailstartirewheel.com

Richard Kearney

Vice President Sales & Marketing

Cell (714) 936-6176

rk@trailstartirewheel.com